



SD4M

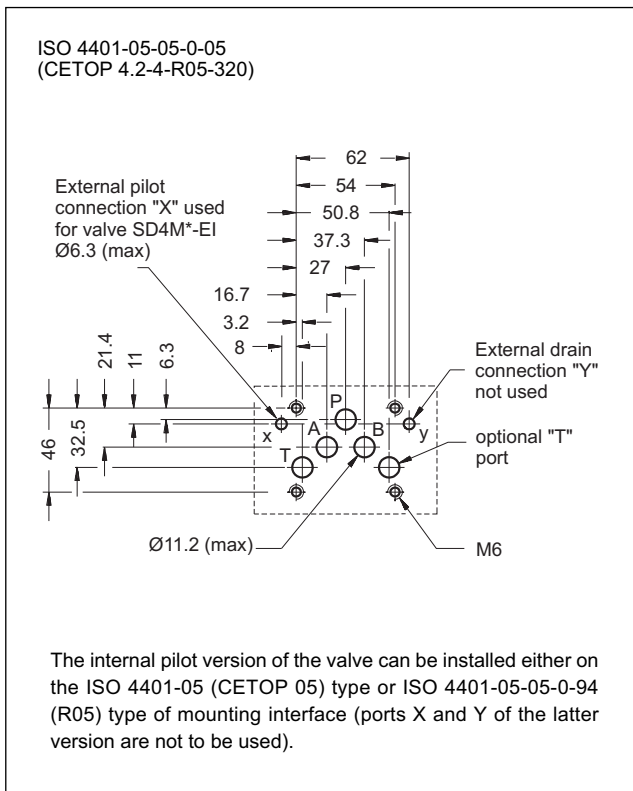
DIRECT OPERATED SEQUENCE VALVE

SERIES 50

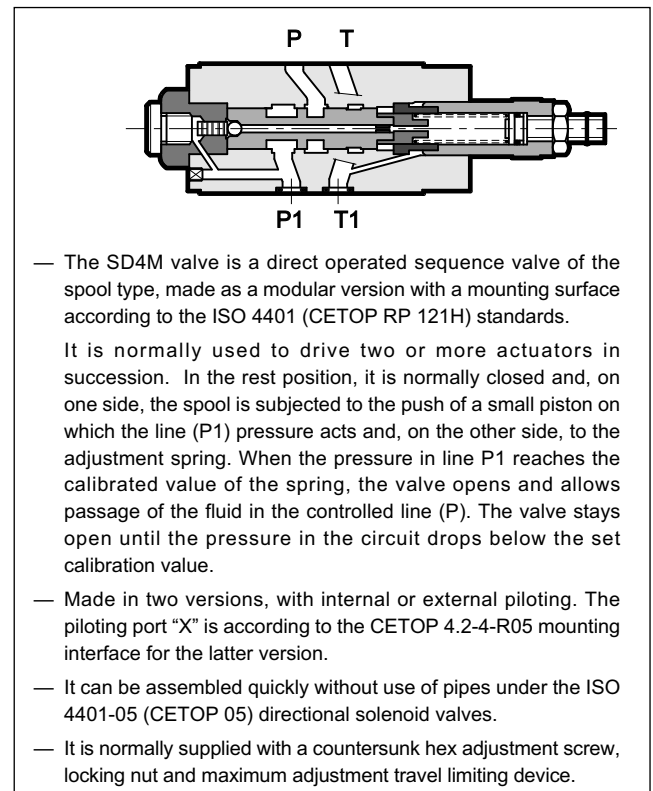
MODULAR VERSION ISO 4401-05 (CETOP 05)

p max 320 bar
Q max (see table of performances)

MOUNTING INTERFACE



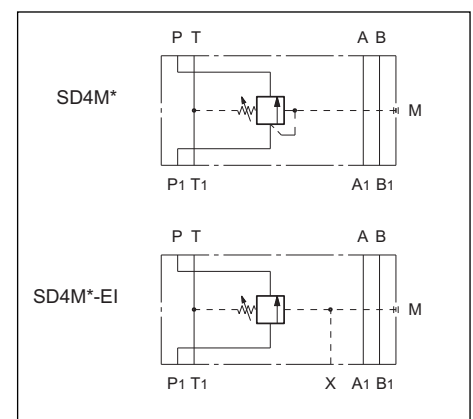
OPERATING PRINCIPLE



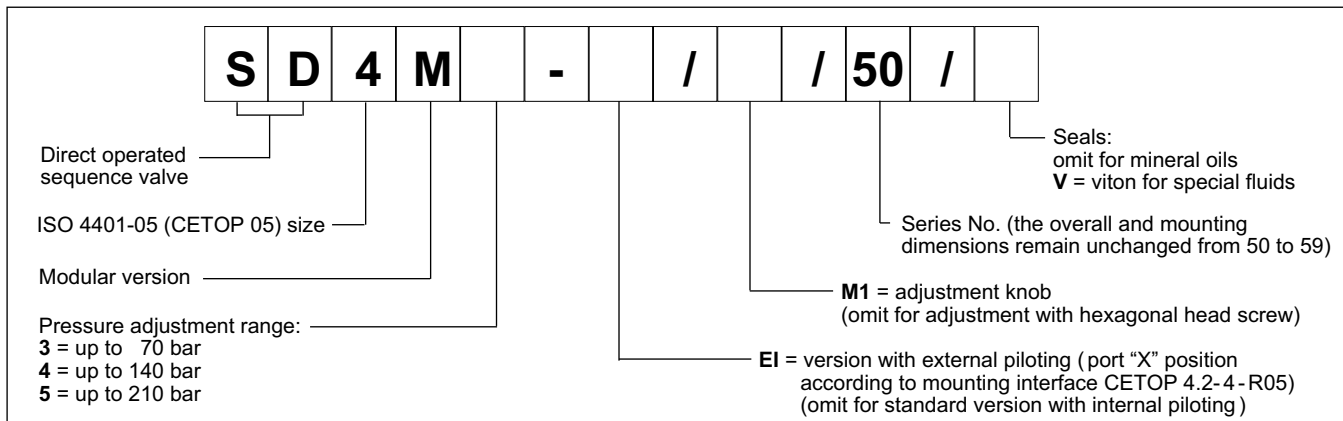
PERFORMANCES (measured with mineral oil of viscosity 36 cSt at 50°C)

Maximum operating pressure maximum pressure on port T	bar	320 10
Maximum flow rate in the controlled lines Maximum flow rate in the free lines	l/min	80 100
Ambient temperature range	°C	-20 / +50
Fluid temperature range	°C	-20 / +80
Fluid viscosity range	cSt	10 ÷ 400
Fluid contamination degree	According to ISO 4406:1999 class 20/18/15	
Recommended viscosity	cSt	25
Mass:	kg	2,7

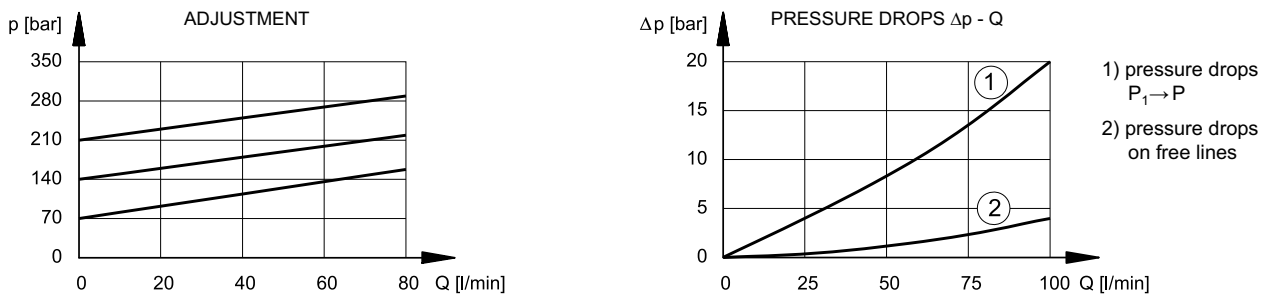
HYDRAULIC SYMBOLS



1 - IDENTIFICATION CODE



2 - CHARACTERISTIC CURVES (values obtained with viscosity of 36 cSt at 50°C)



3 - HYDRAULIC FLUIDS

Use mineral oil-based hydraulic fluids HL or HM type, according to ISO 6743-4. For these fluids, use NBR seals. For fluids HFDR type (phosphate esters) use FPM seals (code V). For the use of other kinds of fluid such as HFA, HFB, HFC, please consult our technical department. Using fluids at temperatures higher than 80 °C causes a faster degradation of the fluid and of the seals characteristics. The fluid must be preserved in its physical and chemical characteristics.

4 - OVERALL AND MOUNTING DIMENSIONS

