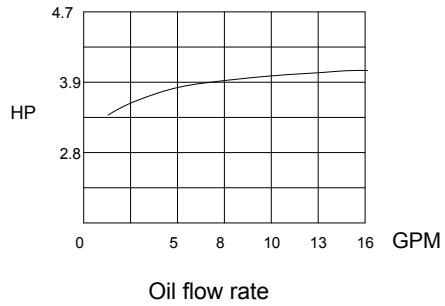
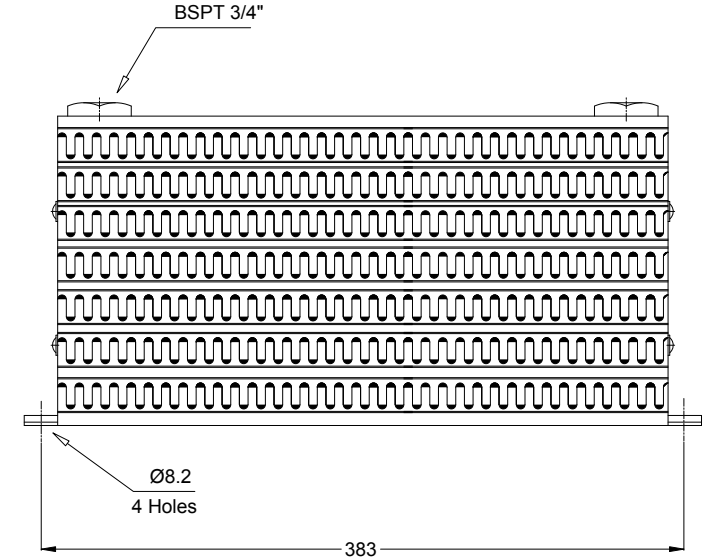
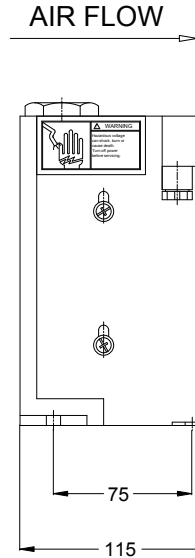
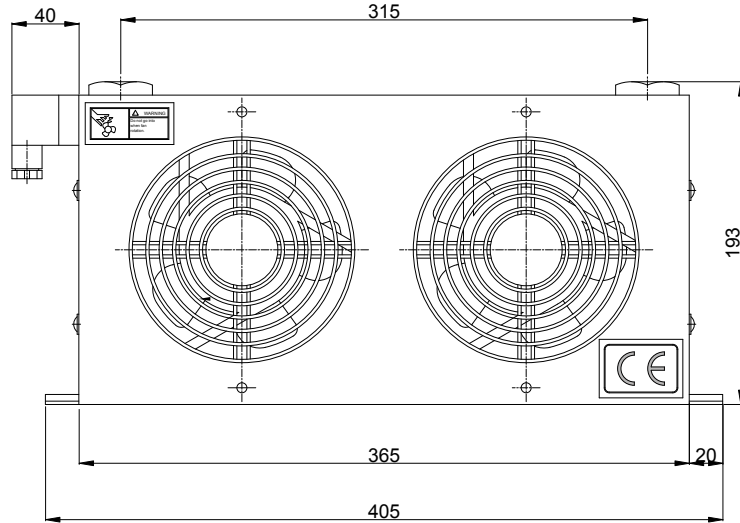
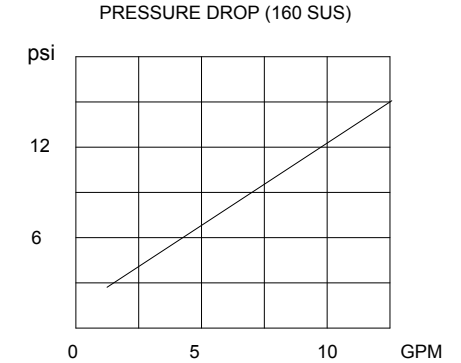


PERFORMANCE DIAGRAM at $\Delta T=86^{\circ}\text{F}$



Model	Voltage V	Frequency Hz	Current A	Motor Speed rpm	Oil flow GPM	Air Flow m ³ /h	Protection IP	Noise dB(A)	Weight lbs
AH0608LT-CD1	12 VDC		2.5	3350	1.5÷15	500		51	13.2
AH0608LT-CD2	24 VDC		0.58			420			
AH0608LT-CA1	115 VAC	50/60	0.6/0.5	2850/3450		457/553	54	42/48	
AH0608LT-CA2	230 VAC	50/60	0.27/0.23						
AH0608LT-CA3	380 VAC	50/60							

MAX. WORKING PRESSURE 290 psi



Model
AIR-OIL COOLER
 AH0608LT-C MODEL

Drawing N.
 AH0608LT-C
 Material
 Aluminum

Universal Hydraulics International, Ltd
 9337 Ravenna Rd, Unit G
 Twinsburg, OH 44087
 P: 330-405-1800
 F: 330-405-1801
<http://www.uhilt.com>