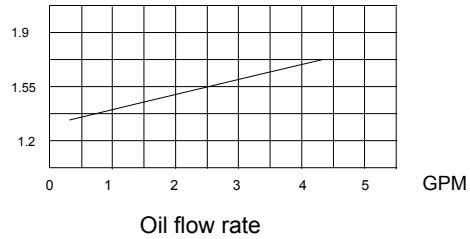
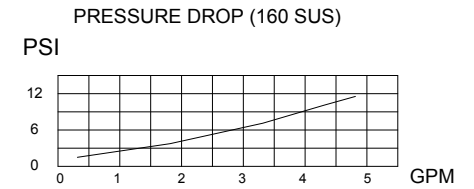


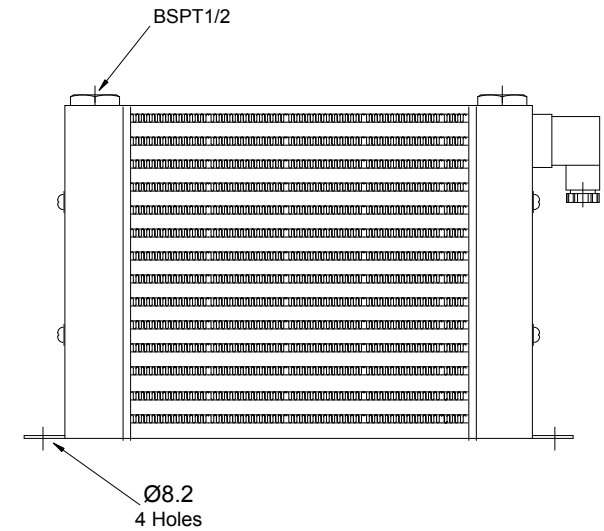
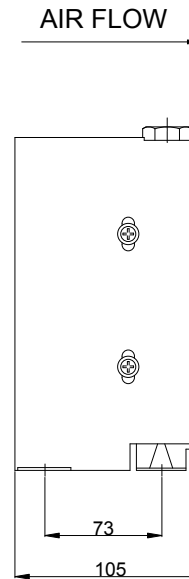
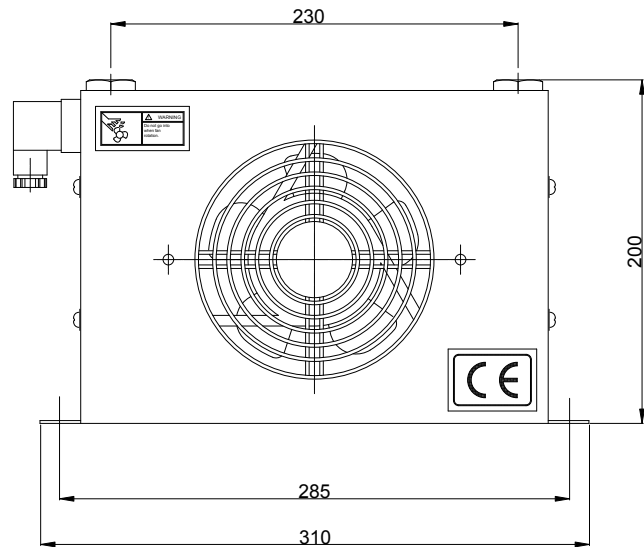
PERFORMANCE DIAGRAM at $\Delta T=86^{\circ}\text{F}$
(HP/h)



Model	Voltage V	Frequency Hz	Current A	Motor Speed rpm	Oil flow GPM	Air Flow m ³ /h	Protection IP	Noise dB(A)	Weight lbs
AL608-CA	12 VDC		2.5	3350	0.5~4.5	500		5	8
AL608-CA	24 VDC		0.58			420			
AL608-CA	115 VAC	50/60	0.6/0.5	2850/3450		457/553	54	42/48	
AL608-CA	230 VAC	50/60	0.27/0.23						
AL608-CA	380 VAC	50/60							



MAX. WORKING PRESSURE 217 psi



Model
AIR-OIL COOLER
AL608-C MODEL

Drawing N.
AL608-C
Material
Aluminum

Universal Hydraulics International, Ltd
9337 Ravenna Rd, Unit G
Twinsburg, OH 44087
P: 330-405-1800
F: 330-405-1801
<http://www.uhilted.com>