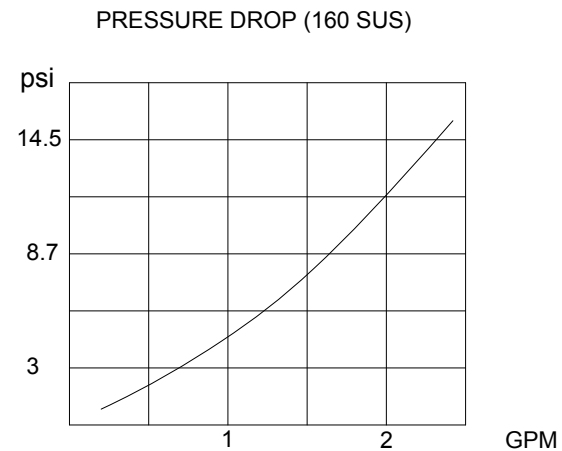
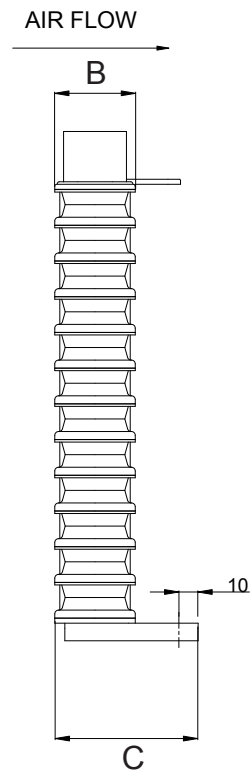
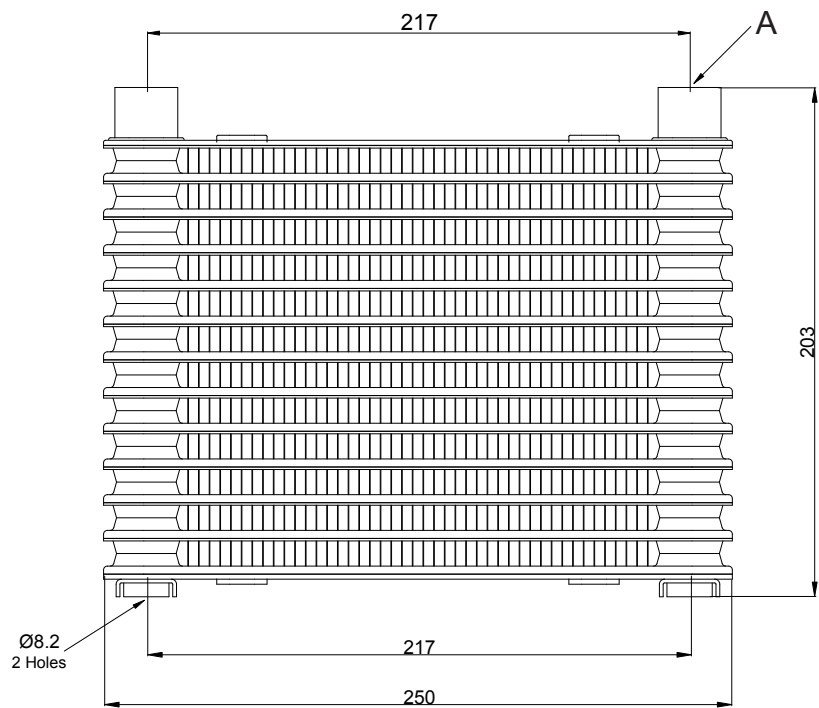


TECHNICAL FEATURES	
MAX. WORKING PRESSURE	145 psi
MAX. FLOW RATE	2.5 GPM

Model	A	B	C	Weight lbs
AL608	BSPT3/8"	32	56	1.65



Model
AIR-OIL COOLER
AL MODEL

Drawing N.
AL608-A

Material
Aluminum

Universal Hydraulics International, Ltd
9337 Ravenna Rd, Unit G
Twinsburg, OH 44087
P: 330-405-1800
F: 330-405-1801
<http://www.uhilt.com>