



# SC

## HEAVY SERIES

### MATERIALS

SC51 & SC61  
Housing: Steel  
Cover: Aluminium

Shut-off valve:  
Polyamide

Seals:  
NBR Nitrile  
(FKM - on request fluoroelastomer)

Indicator housing:  
Brass

### PRESSURE (ISO 10771-1:2002)

Collapse, differential  
for the filter element (ISO 2941):  
100 kPa (1 bar)

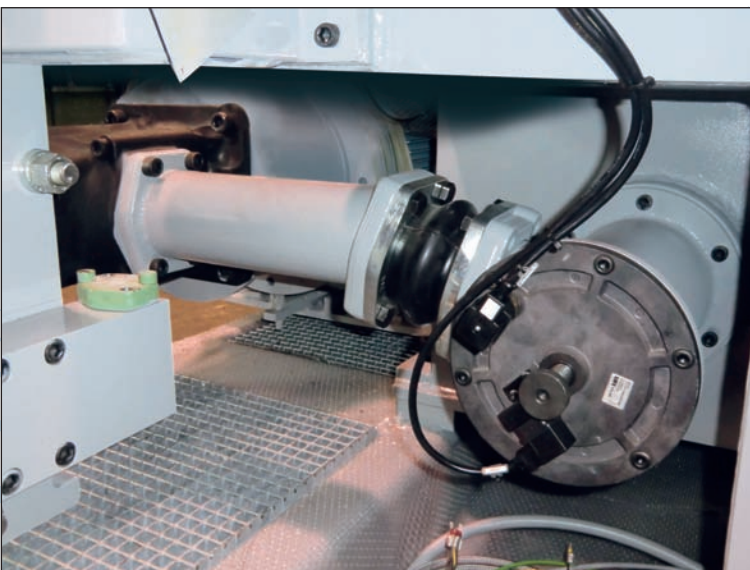
### WORKING TEMPERATURE

From -25° to + 110° C

### COMPATIBILITY (ISO 2943:1999)

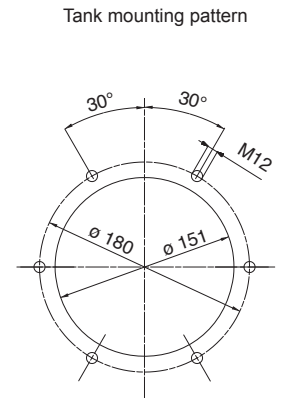
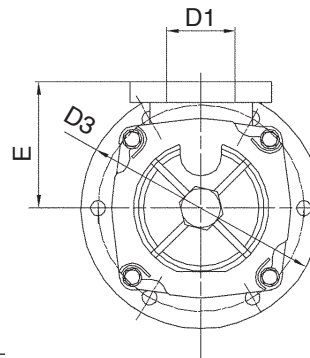
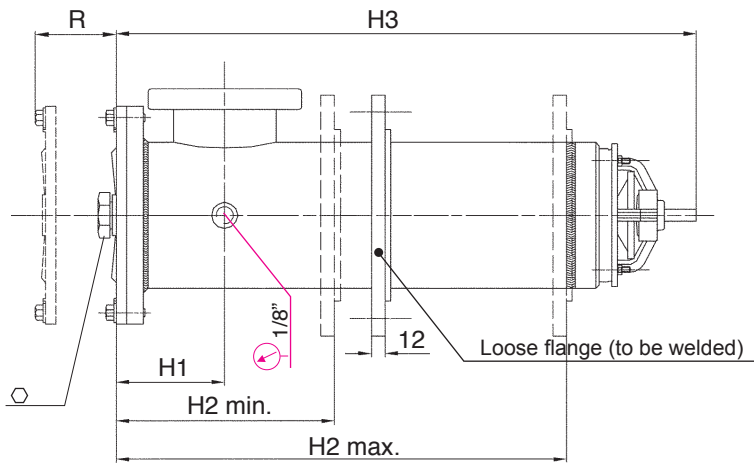
Full with fluids: HH-HL-HM-HV-HTG  
(according to ISO 6743/4)  
For fluids different than the above  
mentioned, please contact our Sales  
Department.

### APPLICATION EXAMPLE

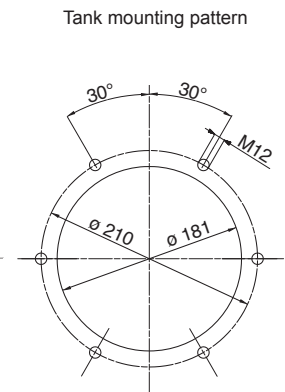
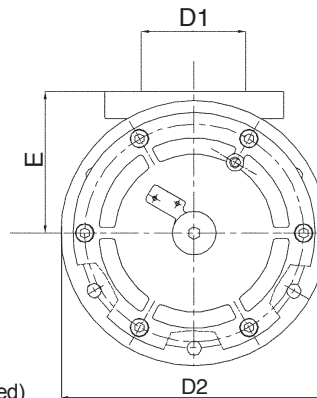
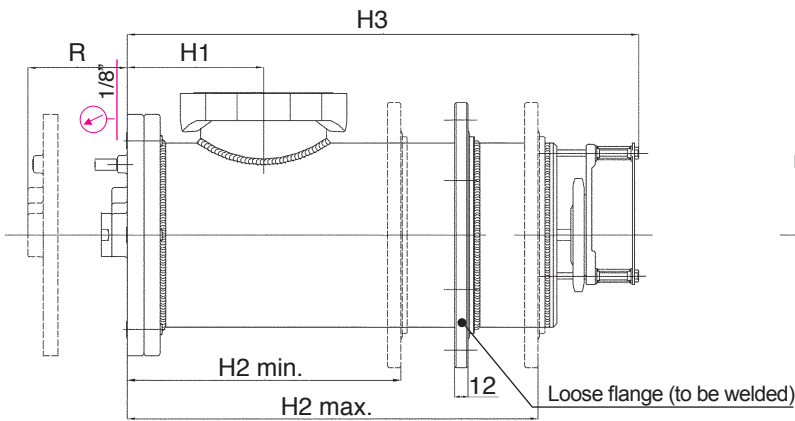


HEAVY SERIES

FSC 51



FSC 61



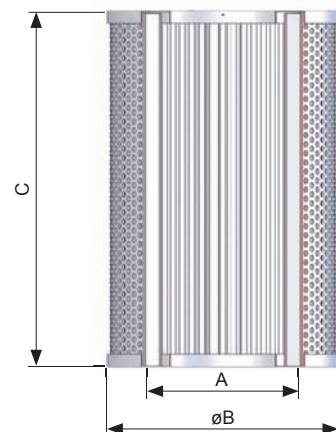
FILTER HOUSING

	D1	D2	E	H1	H2*	H3	R	○	kg
FSC51	3"	210	110	95	174 ÷ 355	480	500	32	13,0
FSC61	4"	242	130	122	250 ÷ 405	470	500	32	16,0

<b>TYPE</b>				
F = FILTER COMPLETE		F	F	
B = FILTER HOUSING		B	B	<b>ELEMENT</b> E
<b>S</b> <b>C</b>	<b>FAMILY, NOMINAL SIZE &amp; LENGTH</b>			<b>FAMILY SIZE &amp; LENGTH</b> S C
		51	61	
<b>F PORT TYPE</b>				
F = SAE flange 3000 psi		F	F	
<b>PORT SIZE</b>				
24 = 3"		24	-	
32 = 4"		-	32	
<b>W BYPASS VALVE</b>				
W = without		W	W	
<b>SEALS</b>				<b>SEALS</b>
N = NBR Nitrile		N	N	X = not applicable
F = FKM Fluoroelastomer		F	F	
G = treatment for water-glycol		G	G	G = for water glycol
<b>FILTER MEDIA</b>				<b>FILTER MEDIA</b>
ME = metal wire mesh 60 μm		ME	ME	ME=w. mesh 60 μm
MF = metal wire mesh 90 μm		MF	MF	MF=w. mesh 90 μm
MG = metal wire mesh 250 μm		MG	MG	MG=w. mesh 250 μm
<b>CLOGGING INDICATOR</b>				
01 = 1/8" port , plugged		-	01	
04 = nr. 2 x 1/8" seats, plugged		04	-	
10 = vacuum gauge, rear connection		10	10	
91 = SPDT, vacuum switch		91	91	
<b>ACCESSORIES</b>				
W = without		W	W	
M = magnetic core		M	M	
<b>ACCESSORIES</b>				
W = without		W	W	
S = safety microswitch		S	S	

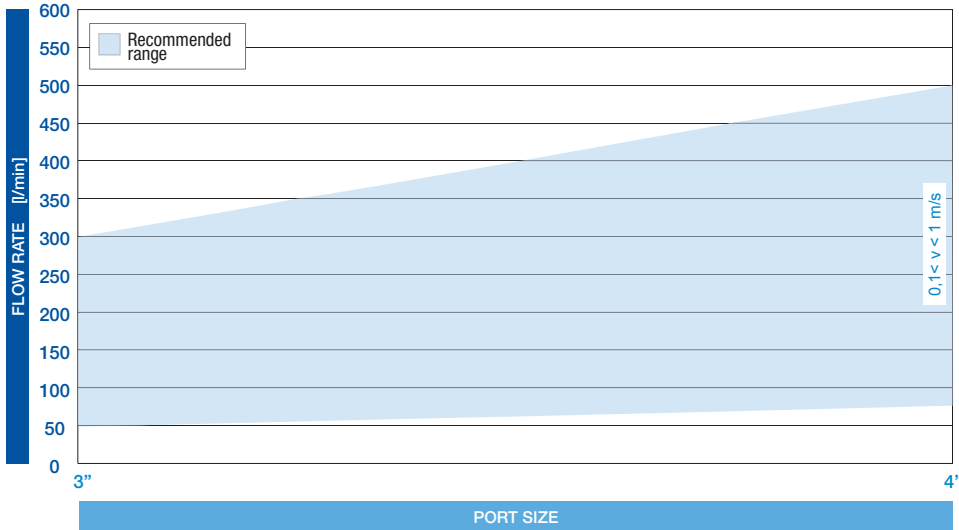
**FILTER ELEMENT**

	A	B	C	kg	Area (cm <sup>2</sup> ) Media M+
ESC51	65	99	375	0,90	3.545
ESC61	93	136	375	1,50	5.065



**FLUID SPEED**

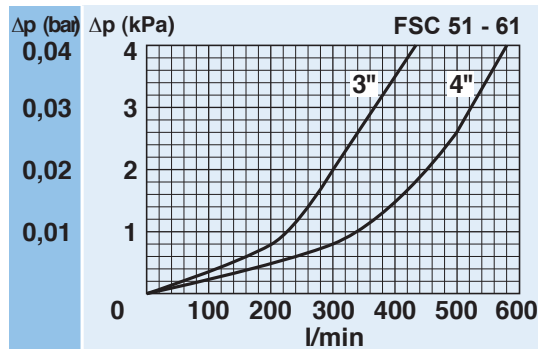
(when selecting the filter size, we suggest to consider also the max recommended fluid speed (in suction lines normally  $0,1 < v < 1$  m/s)



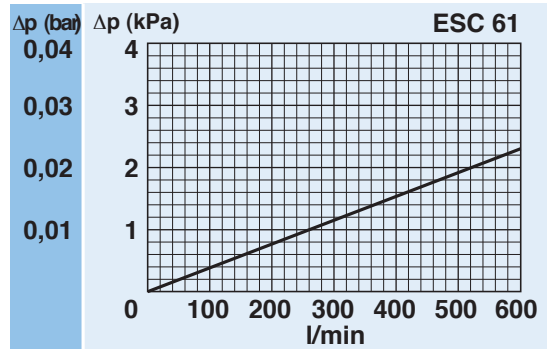
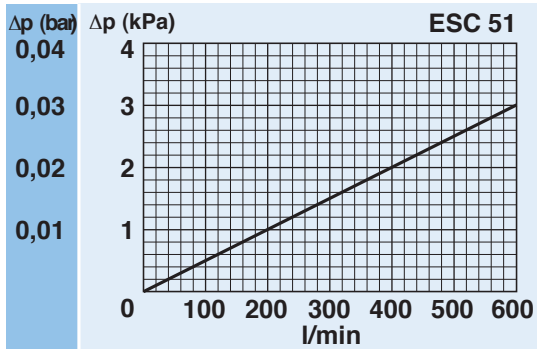
**PRESSURE DROP CURVES ( $\Delta p$ )**

The “Assembly Pressure Drop ( $\Delta p$ )” is obtained by adding the pressure drop values of the Filter Housing and of the Clean Filter Element corresponding to the considered Flow Rate and it must be lower than 3 kPa (0,03 bar).

**FILTER HOUSING PRESSURE DROP**  
(mainly depending on the port size)



**CLEAN FILTER ELEMENT PRESSURE DROP**  
(pressure drop values of the elements by ME - MF - MG media are very similar)



N.B. All the curves have been obtained with mineral oil having a kinematic viscosity 30 cSt and specific gravity 0,9 kg/dm<sup>3</sup>; for fluids with different features, please consider the factors described in the first part of this catalogue. All the curves are obtained from test done at the UFI HYDRAULIC DIVISION Laboratory, according to the specification ISO 3968:2005. In case of discrepancy, please check the contamination level, viscosity and features of the fluid in use.

**CLOGGING INDICATOR**

A visual or electrical indicator allows monitoring of the element condition. The port for the indicator is a standard feature.

**MAGNETIC CORE**

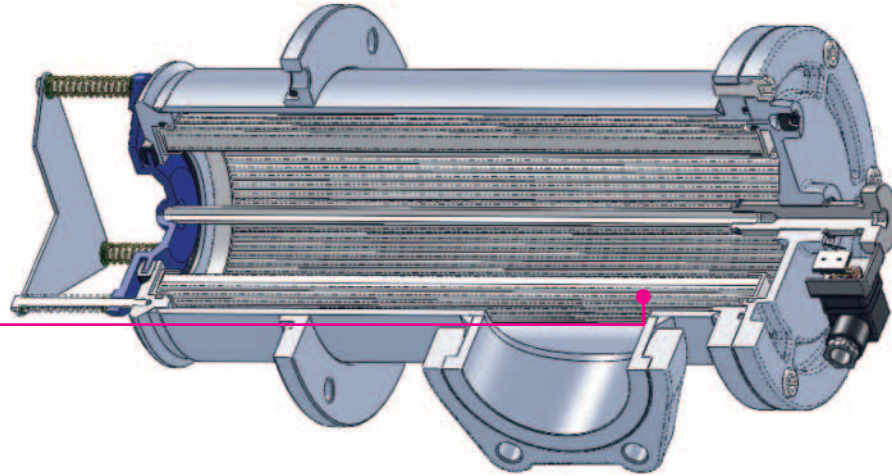
The optional magnetic core is an additional safeguard that pre-filters magnetic particles.

**EASY MAINTENANCE**

Operated by a hexagonal cover stud the shut-off valve isolates the tank oil allowing easy element replacement without emptying the reservoir.

**FAST REPLACEMENT**

Loosening four screws will allow removal of quick release cover and replacement element.



**CLOGGING INDICATOR**

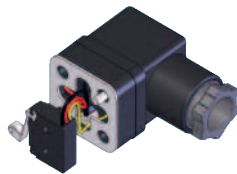
For further technical informations and other options see page 187.



**SERIES 10**



**SERIES 91**



**SAFETY MICROSWITCH**

**SPARE SEAL KIT**

	NBR	FKM
FSC51	521.0089.2	521.0092.2
FSC61	521.0024.2	521.0093.2

**SPARE PARTS ELEMENTS (For filling up see table "Ordering and option chart")**

FILTER HOUSING	FILTER ELEMENT	CLOGGING INDICATOR	ACCESSORY	ACCESSORY
<input type="checkbox"/> <input type="checkbox"/> <input type="checkbox"/> <input type="checkbox"/> <input type="checkbox"/> <input type="checkbox"/> <input type="checkbox"/> <input type="checkbox"/>	<input type="checkbox"/> <input type="checkbox"/> <input type="checkbox"/> <input type="checkbox"/> <input type="checkbox"/>	<input type="checkbox"/> <input type="checkbox"/>	<input type="checkbox"/>	<input type="checkbox"/>
			<b>MAGNETIC CORE</b>	<b>SAFETY MICROSWITCH</b>

